

## MOBILEPRO-W3

### MOBILE WELDING FUME EXTRACTOR


The MobilePro-W3 is a mobile welding fume filter with built-in fan. The highly efficient filter cartridge is self-cleaning by the integrated RamAir™ pulse amplifier, based on external compressed air supply.

Thanks to the four transport wheels (two of which are swivel casters with brake), the MobilePro-W3 is suitable for use in relatively small facilities or near sources of pollution without a fixed location.

The extraction arm is to be selected and ordered separately.



### APPLICATIONS

The MobilePro-W3 is intended to be used for the following applications: 

- MIG-MAG/GMAW welding
- TIG welding
- FCAW welding
- stick/MMAW welding
- stainless steel welding
- grinding
- polishing
- finishing

### SPECIFICATIONS

#### Physical dimensions and properties

Material (housing):	electro-zinc coated steel (according to DIN EN 10152)
• steel grade	• DC01+ZE
• steel grade no.	• 1.0330
Colour	yellow RAL 1004
Weight (net)	169 kg (373 lbs.)
Supply cable:	
• type	• SJOOW 3xAWG14
• length	• 4,5 m (14.8 ft)
Plug type	NEMA 5-15P
Capacity of dust tray	10 litres (2.6 gallon)

#### Filter cartridge

Type	CART-O/PTFE
Shape	cylindric
Filter material	100% BiCo polyester with PTFE membrane
Filter surface area	10 m <sup>2</sup> (108 ft <sup>2</sup> )
Welding fume class	W3 compliant (according to EN-ISO 15012-1:2013)
Washable	no

#### Compressed air system

Required compressed air quality	dry and oil-free according to ISO 8573-3 class 6
Inlet pressure	5-10 bar (75-150 PSI)
Required pressure	5 bar (75 PSI) (by integrated pressure regulator)
Compressed air connection	G 3/8" (female)
Compressed air consumption	35 NI (1.2 ft <sup>3</sup> ) per pulse

Volume of compressed air tank	10 litres (2.6 gallon)
Activation of filter cleaning system (online only)	<ul style="list-style-type: none"> <li>• pressure controlled (threshold value: 1000 Pa / 4 in. WG)</li> <li>• manually by push button</li> </ul>
Duration of filter cleaning cycle (6 pulses)	60 seconds

#### Performance

Fan type	radial
Extraction capacity (incl. extraction arm)	max. 1200 m <sup>3</sup> /h (700 CFM)
Fan speed:	<ul style="list-style-type: none"> <li>• 50 Hz motor</li> <li>• 60 Hz motor</li> </ul>
	<ul style="list-style-type: none"> <li>• 2900 rpm</li> <li>• 3390 rpm</li> </ul>
Noise level	72 dB(A) according to ISO 3746

#### Electrical data

Power consumption	1,1 kW (1.5 HP)
Available connection voltages	refer to Order information
Motor design	IEC
Energy efficiency:	<ul style="list-style-type: none"> <li>• single phase motor</li> <li>• three-phase motor</li> </ul>
	<ul style="list-style-type: none"> <li>• n.a.</li> <li>• IE3 / premium</li> </ul>

#### Ambient conditions

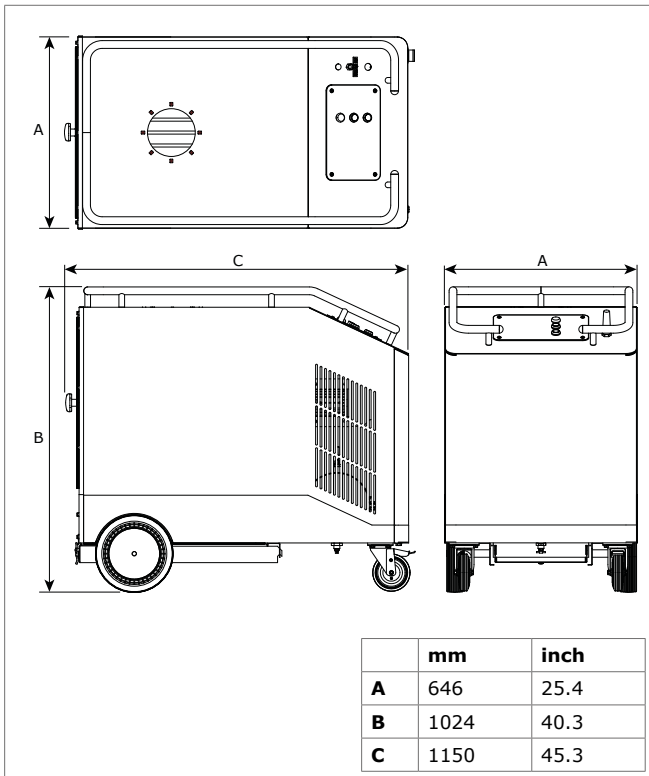
Process temperature:	<ul style="list-style-type: none"> <li>• min.</li> <li>• nom.</li> <li>• max.</li> </ul>
	<ul style="list-style-type: none"> <li>• 5°C (41°F)</li> <li>• 20°C (68°F)</li> <li>• 70°C (158°F)</li> </ul>
Max. relative humidity	90%
Suitable for outdoor use	no
Storage conditions	<ul style="list-style-type: none"> <li>• 5-45°C (41-113°F)</li> <li>• relative humidity max. 80%</li> </ul>

#### Options and accessories

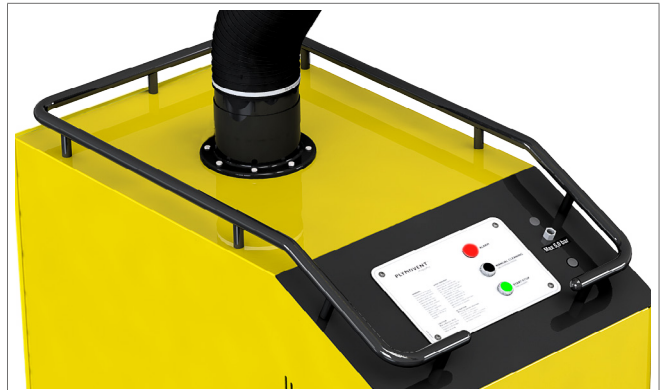
HEPA kit (2-piece)	HEPA 14 (2 x 5,2 m <sup>2</sup> )
<b>Product combinations</b>	
KUA-2/S / KUA-3/S / KUA-4/S	ball bearing extraction arm (360° rotatable)

EA-3/S / EA-4/S	hose tube extraction arm (360° rotatable)
Option: LL-5.5/24-160	manual on/off switch, incl. LED working light (arm 359° rotatable)
<b>■ Scope of supply</b>	
Mobile unit – Hexagon bolt M6x25 (8) – Washer (8) – Cable gland (2)	
<b>■ Order information</b>	
Article no.:	MobilePro-W3:
• 0000112344	• 115V/1ph/50Hz (115)
• 0000112342	• 230V/1ph/50Hz (215)
• 0000112343	• 400V/3ph/50Hz (435)
Number/package	1
<b>■ Shipping data</b>	
Gross weight (incl. pallet)	206 kg (454 lbs.)
Packing dimensions (incl. pallet)	800 x 1200 x 1200 mm (47.2 x 31.5 x 47.2 in.)
Max. number/pallet	1 (stack: max. 2 pallets)
Harmonized Tariff Code	8421.39.2090

## DIMENSIONS



## FEATURES & BENEFITS

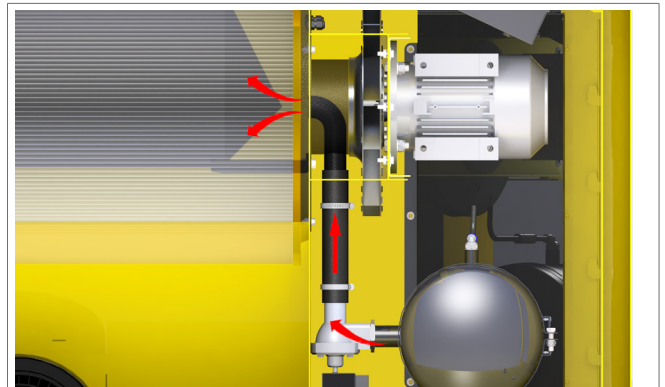


Versatile handlebar:

- easy to move the unit
- allows to place tools on the unit and prevents them from falling off



Lockable dust tray

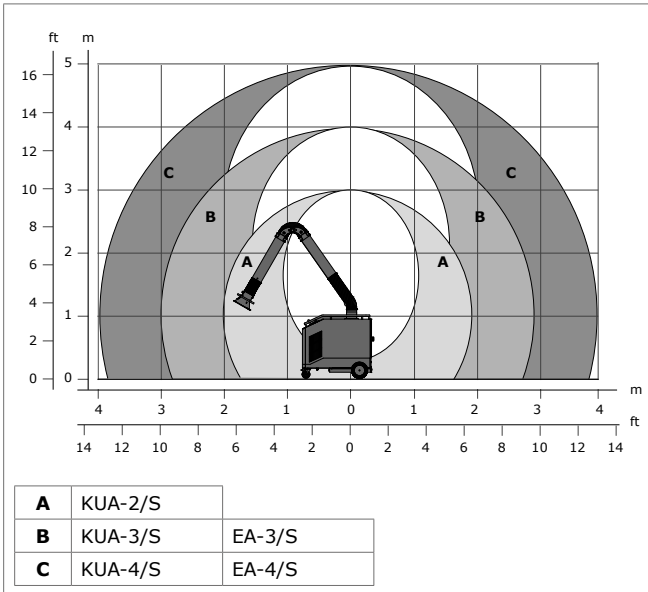


RamAir™ pulse amplifier: effective cleaning of the filter cartridge by powerful compressed air pulses



Easy control; design according to UL-508A Standard

**WORKING RANGE**



MobilePro-W3 with extraction arm

**APPROVALS/CERTIFICATES**

	Directive 2011/65/EC (RoHS) valid as of 8 June 2011

**Application restrictions**

Do **not** use the product for the following applications or in the following circumstances: polishing applications in combination with grinding, welding or any other application that generate sparks (fibres from polishing or abrasive flap disks are highly flammable and pose a high risk of filter fires when exposed to sparks) | aluminium laser cutting | oil mist | heavy oil mist in welding fume | arc-air gouging | extraction of aggressive fumes and gases (e.g. from acids, from alkaline, from soldering paste containing lithium) | extraction of hot gases (more than 70°C/158°F continuously) | grinding aluminum and magnesium | flame spraying | extraction of cement, saw dust, wood dust etc. | sucking cigarettes, cigars, oiled tissues and other burning particles, objects and acids | explosive environments or explosive substances/gases



Product type	<b>MobilePro-W3</b>
Article no.	<i>refer to Order information</i>
Product category	mobile filter units
Version	121120/0

Always check the latest version on [www.plymovent.com](http://www.plymovent.com)