

## MOBILEPRO

### MOBILE WELDING FUME EXTRACTOR

The MobilePro is a mobile welding fume filter with built-in fan. The highly efficient filter cartridge is self-cleaning by the integrated RamAir™ pulse amplifier, based on external compressed air supply.

Thanks to the four transport wheels (two of which are swivel casters with brake), the MobilePro is suitable for use in relatively small facilities or near sources of pollution without a fixed location.

The extraction arm is to be selected and ordered separately.



### APPLICATIONS

The MobilePro is intended to be used for the following applications:



- MIG-MAG/GMAW welding
- TIG welding
- FCAW welding
- stick/MMAW welding
- stainless steel welding
- grinding
- polishing
- finishing

### SPECIFICATIONS

#### Physical dimensions and properties

Material (housing):	electro-zinc coated steel (according to DIN EN 10152)
• steel grade	• DC01+ZE
• steel grade no.	• 1.0330
Colour	yellow RAL 1004
Weight (net)	169 kg (373 lbs.)
Supply cable:	
• type	• SJOOW 3xAWG14
• length	• 4,5 m (14.8 ft)
Plug type	NEMA 5-15P
Capacity of dust tray	10 litres (2.6 gallon)

#### Filter cartridge

Type	CART-O/PTFE
Shape	cylindric
Filter material	100% BiCo polyester with PTFE membrane
Filter surface area	10 m <sup>2</sup> (108 ft <sup>2</sup> )
Filter class	MERV 16 according to ASHRAE 52.2
Washable	no

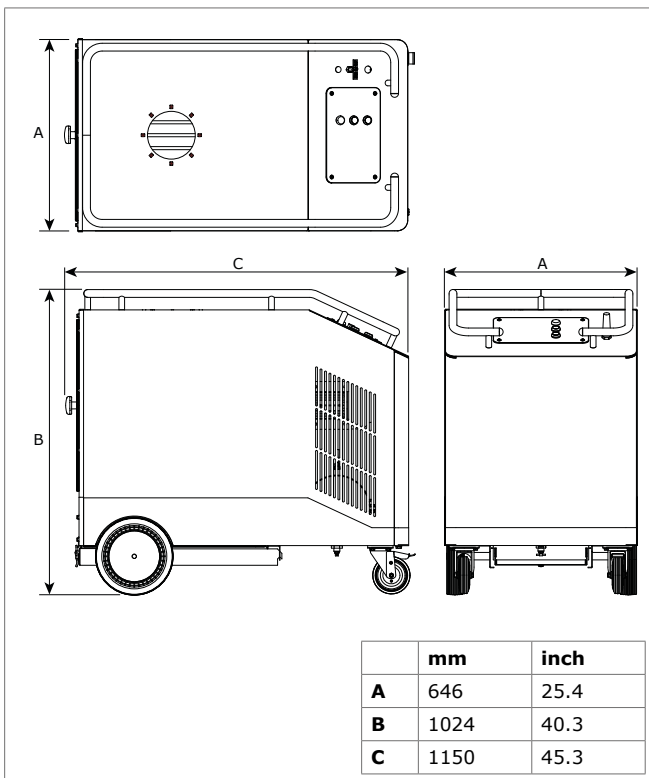
#### Compressed air system

Required compressed air quality	dry and oil-free according to ISO 8573-3 class 6
Inlet pressure	5-10 bar (75-150 PSI)
Required pressure	5 bar (75 PSI) (by integrated pressure regulator)
Compressed air connection	G 3/8" (female)
Compressed air consumption	35 NI (1.2 ft <sup>3</sup> ) per pulse

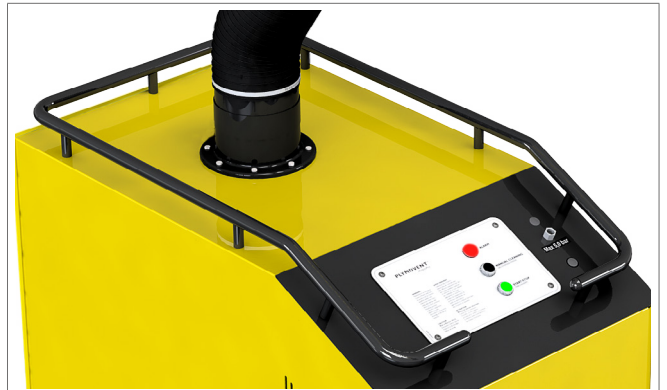
Volume of compressed air tank	10 litres (2.6 gallon)
Activation of filter cleaning system (online only)	<ul style="list-style-type: none"> <li>• pressure controlled (threshold value: 1000 Pa / 4 in. WG)</li> <li>• manually by push button</li> </ul>
Duration of filter cleaning cycle (6 pulses)	60 seconds
<b>Performance</b>	
Fan type	radial
Extraction capacity (incl. extraction arm)	max. 1200 m <sup>3</sup> /h (700 CFM)
Fan speed:	<ul style="list-style-type: none"> <li>• 50 Hz motor</li> <li>• 60 Hz motor</li> </ul>
	<ul style="list-style-type: none"> <li>• 2900 rpm</li> <li>• 3390 rpm</li> </ul>
Noise level	72 dB(A) according to ISO 3746
<b>Electrical data</b>	
Power consumption	1,1 kW (1.5 HP)
Connection voltage	115V/1ph/60Hz (116)
Motor design	IEC
Energy efficiency:	<ul style="list-style-type: none"> <li>• single phase motor</li> <li>• three-phase motor</li> </ul>
	<ul style="list-style-type: none"> <li>• n.a.</li> <li>• IE3 / premium</li> </ul>
<b>Ambient conditions</b>	
Process temperature:	<ul style="list-style-type: none"> <li>• min.</li> <li>• nom.</li> <li>• max.</li> </ul>
	<ul style="list-style-type: none"> <li>• 5°C (41°F)</li> <li>• 20°C (68°F)</li> <li>• 70°C (158°F)</li> </ul>
Max. relative humidity	90%
Suitable for outdoor use	no
Storage conditions	<ul style="list-style-type: none"> <li>• 5-45°C (41-113°F)</li> <li>• relative humidity max. 80%</li> </ul>
<b>Options and accessories</b>	
HEPA kit (2-piece)	HEPA 14 (2 x 5,2 m <sup>2</sup> )
<b>Product combinations</b>	
KUA-2/S / KUA-3/S / KUA-4/S	ball bearing extraction arm (360° rotatable)

EA-3/S / EA-4/S	hose tube extraction arm (360° rotatable)
Option: LL-5.5/24-160	manual on/off switch, incl. LED working light (arm 359° rotatable)
<b>■ Scope of supply</b>	
Mobile unit – Hexagon bolt M6x25 (8) – Washer (8) – Cable gland (2)	
<b>■ Order information</b>	
Article no.:	MobilePro
• 0000104174	• 115V/1ph/60Hz
Number/package	1
<b>■ Shipping data</b>	
Gross weight (incl. pallet)	206 kg (454 lbs.)
Packing dimensions (incl. pallet)	800 x 1200 x 1200 mm (47.2 x 31.5 x 47.2 in.)
Max. number/pallet	1 (stack: max. 2 pallets)
Harmonized Tariff Code	8421.39.2090

## DIMENSIONS



## FEATURES & BENEFITS

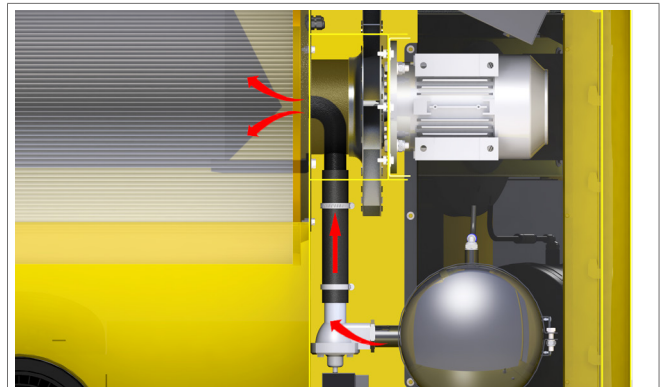


Versatile handlebar:

- easy to move the unit
- allows to place tools on the unit and prevents them from falling off



Lockable dust tray

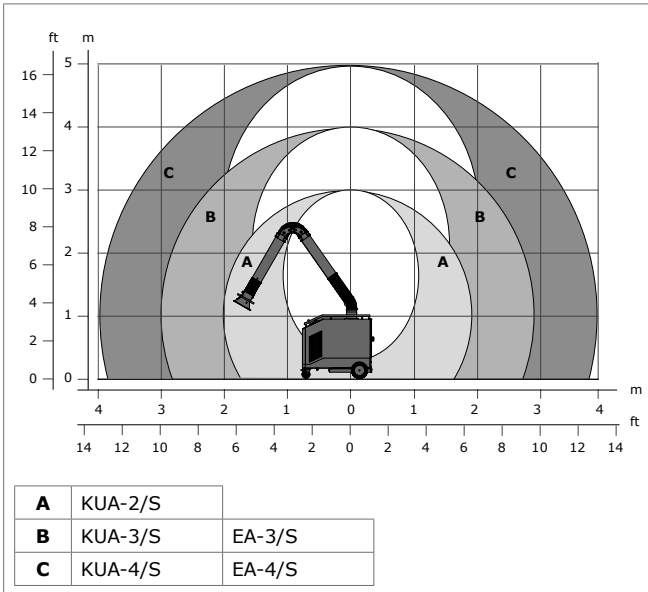


RamAir™ pulse amplifier: effective cleaning of the filter cartridge by powerful compressed air pulses



Easy control; design according to UL-508A Standard

**WORKING RANGE**



MobilePro with extraction arm

**Application restrictions**

Do **not** use the product for the following applications or in the following circumstances: polishing applications in combination with grinding, welding or any other application that generate sparks (fibres from polishing or abrasive flap disks are highly flammable and pose a high risk of filter fires when exposed to sparks) | aluminium laser cutting | oil mist | heavy oil mist in welding fume | arc-air gouging | extraction of aggressive fumes and gases (e.g. from acids, from alkaline, from soldering paste containing lithium) | extraction of hot gases (more than 70°C/158°F continuously) | grinding aluminum and magnesium | flame spraying | extraction of cement, saw dust, wood dust etc. | sucking cigarettes, cigars, oiled tissues and other burning particles, objects and acids | explosive environments or explosive substances/gases



Product type

**MobilePro**

Article no.

*refer to Order information*

Product category

mobile filter units

Version

121110/A

Always check the latest version on [www.plymovent.com](http://www.plymovent.com)